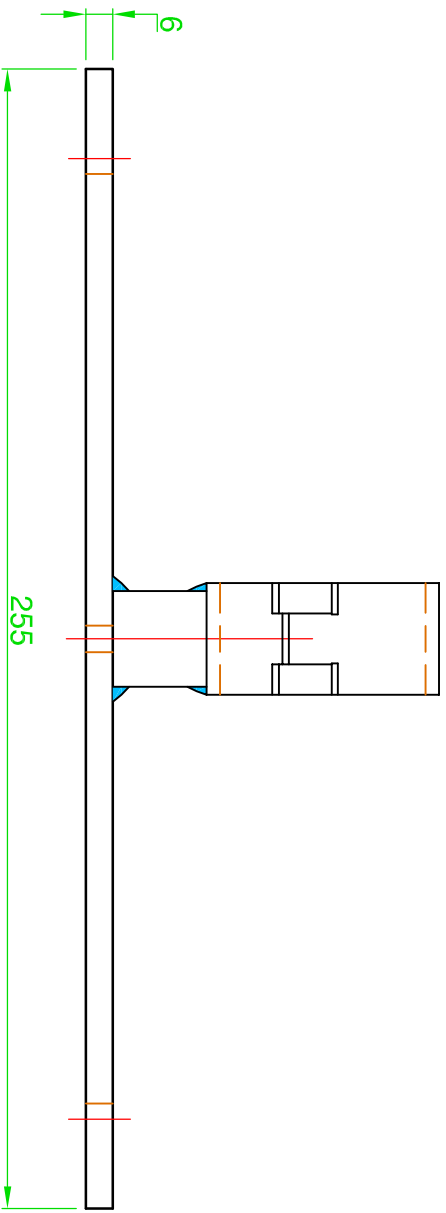
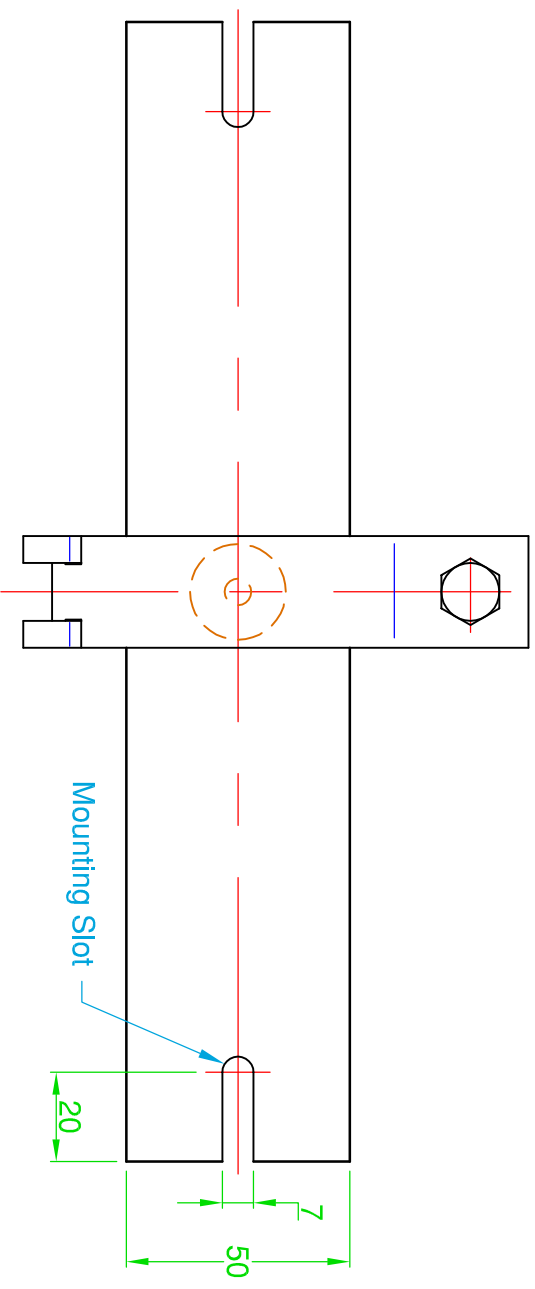
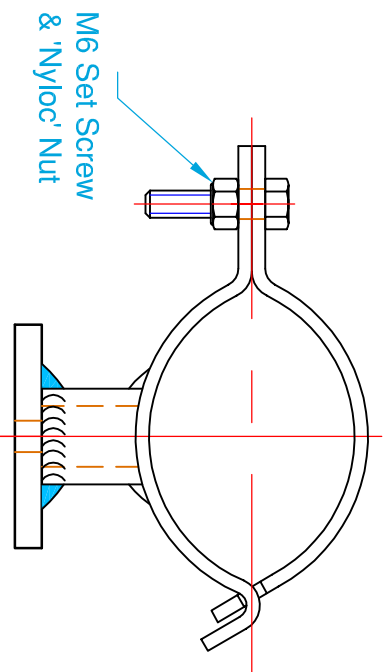
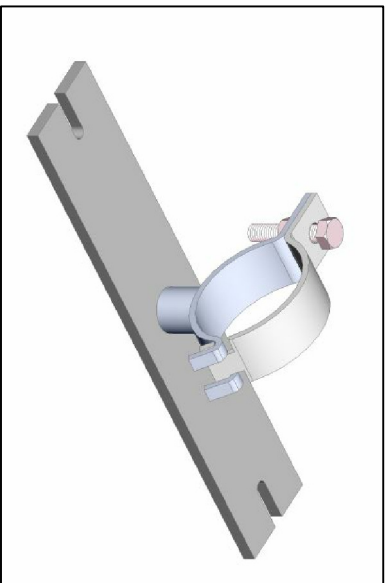


# Assembly Sketch

## WMB-RA

### Stainless Steel

Clamp to suit Ø50 - 55 round tube



### PARTS SUPPLIED:

Item	Description	Quantity
4		
3	Nut 'Nyloc', Hex, M6, Stainless Steel	1
2	Set Screw, Hex Head, M6, Stainless Steel	1
1	Clamp Assembly	1

**G-Tech** Communication Services Pty. Ltd. Trading as :  
**ZCGG SCALAR**®  
DESIGNERS AND MANUFACTURERS OF RADIO FREQUENCY ANTENNAS  
Hall Street, Lunderow, Victoria, Australia.  
Tel: (03) 5157 1203 Fax: (03) 5157 1641



Copyright - G-Tech Communication Services Pty. Ltd. No part of this Drawing is to be reproduced without Written Authority

1773-5-B.dwg LM 15-09-15  
Approved: GK 16-09-15